



EcoTrim

Reduce fuel consumption with HMC's EcoTrim

HMC developed an intelligent software tool (EcoTrim) that calculates the optimal trim for a vessel aimed at reducing fuel consumption. EcoTrim consists of a trim optimization module for all types of vessels. The hull of the vessel is being integrated within EcoTrim and is able to display the most efficient resistance curve by adjusting the trim based on the current loading condition.

Background

EcoTrim displays the optimal trim for a vessel in the respective loading conditions. In theory, under ideal conditions, fuel savings up to 5% can be achieved. In reality, these savings will be around 2 - 3%.

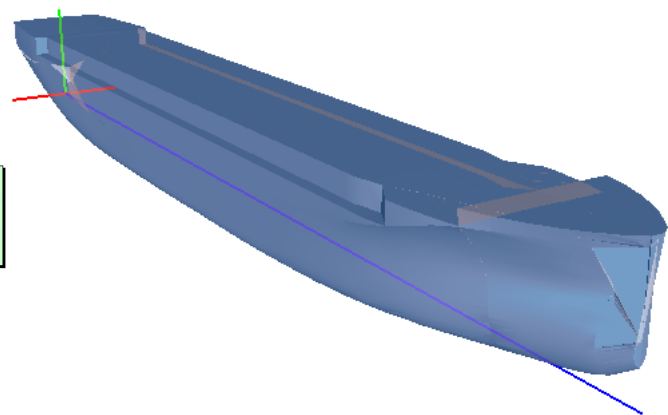
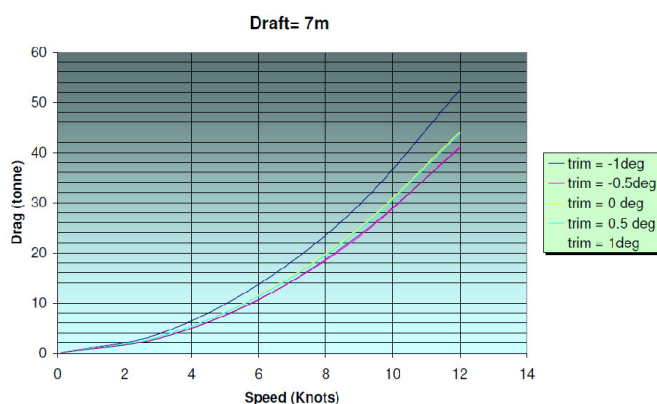
Specifications

EcoTrim uses the integrated hullform of the vessel to determine the most optimal resistance curves with a certain trim to minimize the fuel loss due to an inefficient loading condition.

Features and benefits

- Cost saving
- Short-term investment
- Short-term results
- Short implementation process
- Emission reduction benefits
- Corporate image improvement (CSR)
- Possibility of integration with HMC's loading instrument (CPC 2.0) for further optimization.
- EcoTrim displays optimal trim based on hullform and loading condition
- Adjustments are quickly applied.

..EcoTrim saves operational costs..



The graphs show the relation between Drag, Speed and Trim. The most ideal relation: -0.5deg at 8.5-11 knots.

For more information or a demonstration, please contact HMC via info@hmc.nl or visit www.hmc.nl.